

# HALL EFFECT FLOW-RATE TRANSMITTER

## ZE 3000

### FEATURES

The transmitter made of ABS ZE 3000 emits a 4-20 mA signal compliant with the industrial standards, generated by a DFM flow meter depending upon the position of the magnetic float. With the ZE 3000, already installed flow meters (with magnetic float) can be easily equipped to indicate the flow-rate electrically, so as to control the process or to read the flow-rates directly on the display. The transmitter is programmed at the plant, so as to provide exact measurement and evaluation for the flow-rate.

### AVAILABLE VERSIONS

**ZE 3000:** Hall effect flow-rate transmitter.

**Connection:** DIN NE 175301-803 connector.

**Voltage:** 8 to 28 VDC.

### LIMITS OF USE

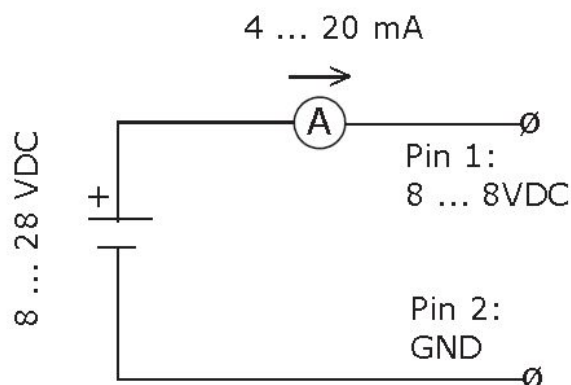
Electrical protection	IP 67
Measurement accuracy	> 0.5%
Ambient WT°	-20°C / +65°C



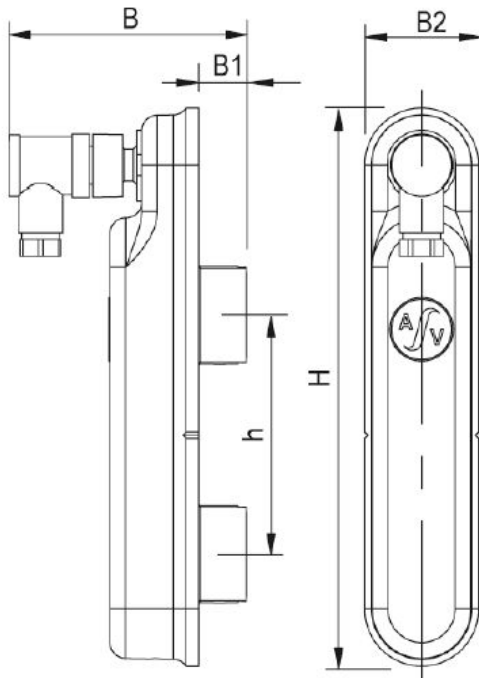
### FEATURES

Power supply	8 to 28 VDC
Analog output signal (2 wires)	4-20 mA
Colour	Anthracite grey

### WIRING DIAGRAM

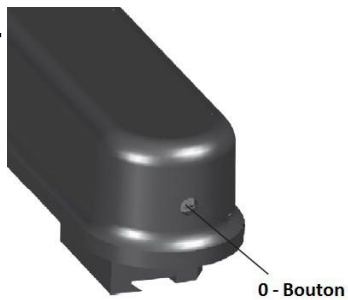


# HALL EFFECT FLOW-RATE TRANSMITTER ZE 3000



	ZE 3000 for DFM
B	75
B1	15
B2	36
h	70
H	176

## OPERATION AND COMMISSIONING



Once installed and powered, press the button 0 to remove any surrounding magnetic noise.  
During the manoeuvre, make sure that the float is in the lower position.

**NOTE:** DFM flow meter with zero flow-rate.



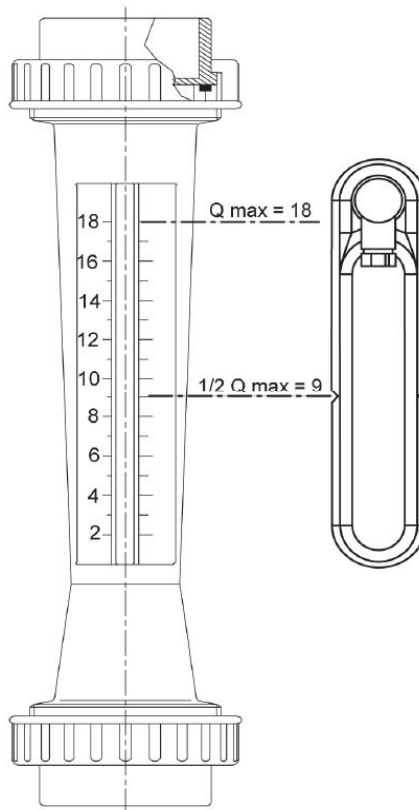
# HALL EFFECT FLOW-RATE TRANSMITTER ZE 3000

## INSTALLATION

The ZE 3000 is attached and tightened by the screw along the flow meter slide.

The connector is located at the top of the transmitter.

At assembly, the notch position has to be exactly at the mid-height of the measurement scale of the flow meter. Perform the wiring. (See the wiring diagram)



## INSTALLATION IN PARALLEL

For an installation in parallel of several DFMs, keep the following minimum distances:

Type	L (mm)
DFM 165	200
DFM 170	200
DFM 185	200
DFM 200	200
DFM 350	400

